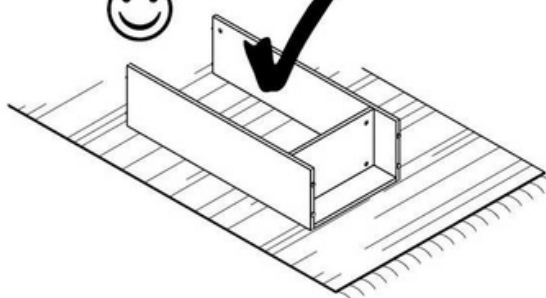
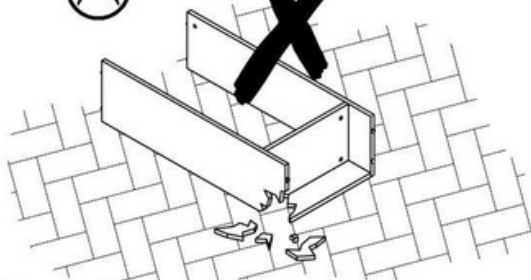
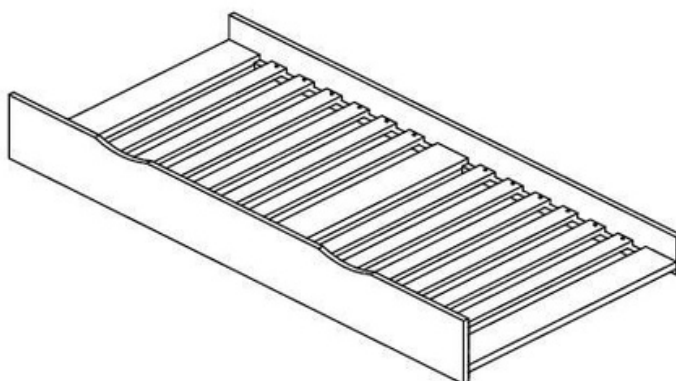
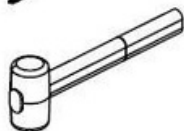
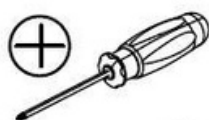
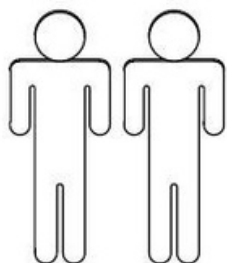
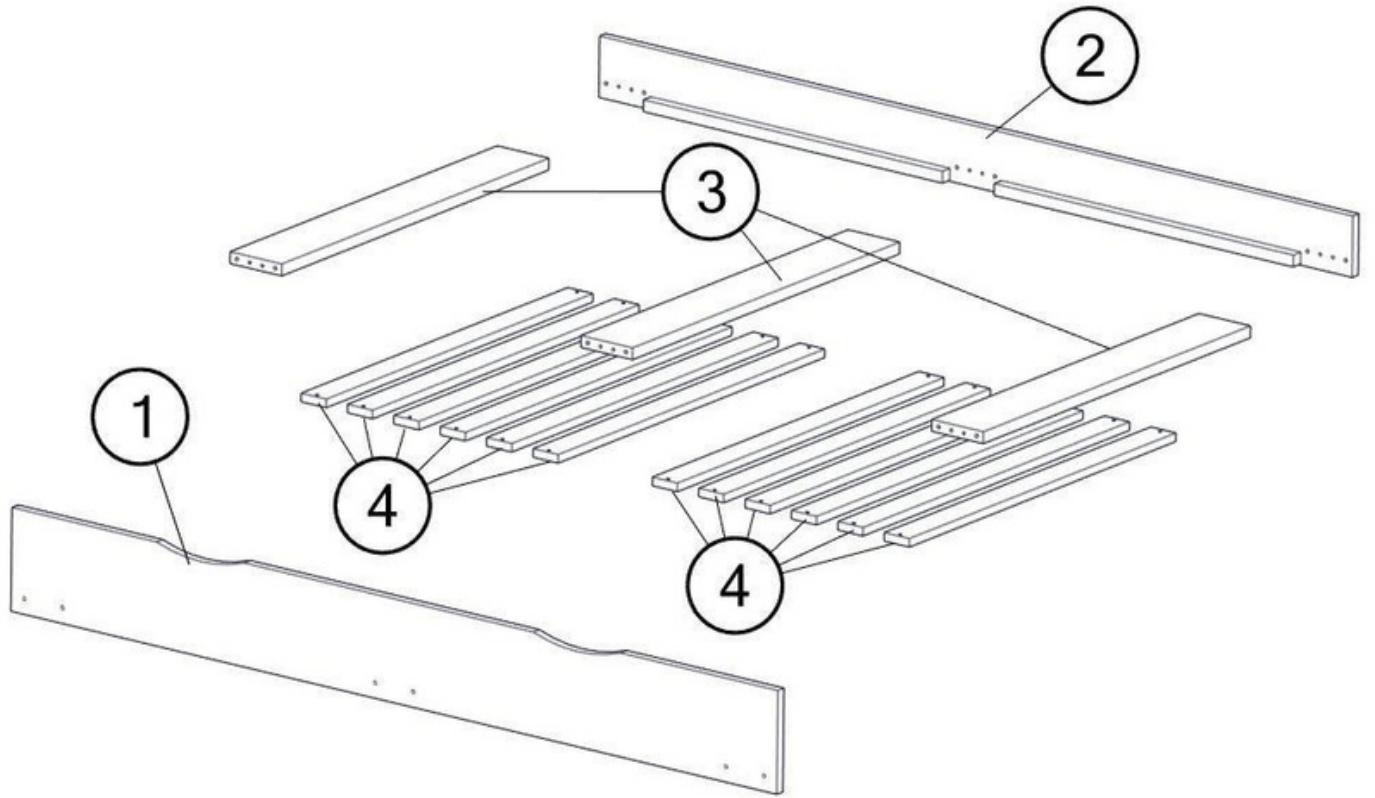


ANAPURNA

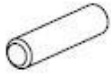


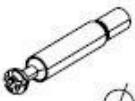



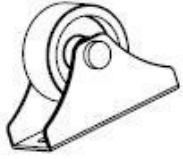
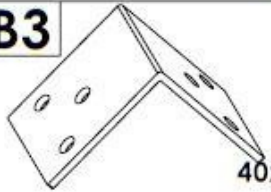


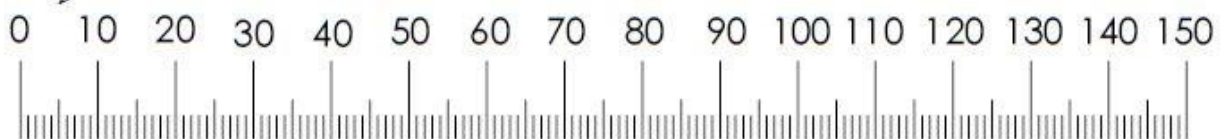
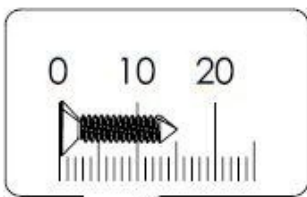
30 min

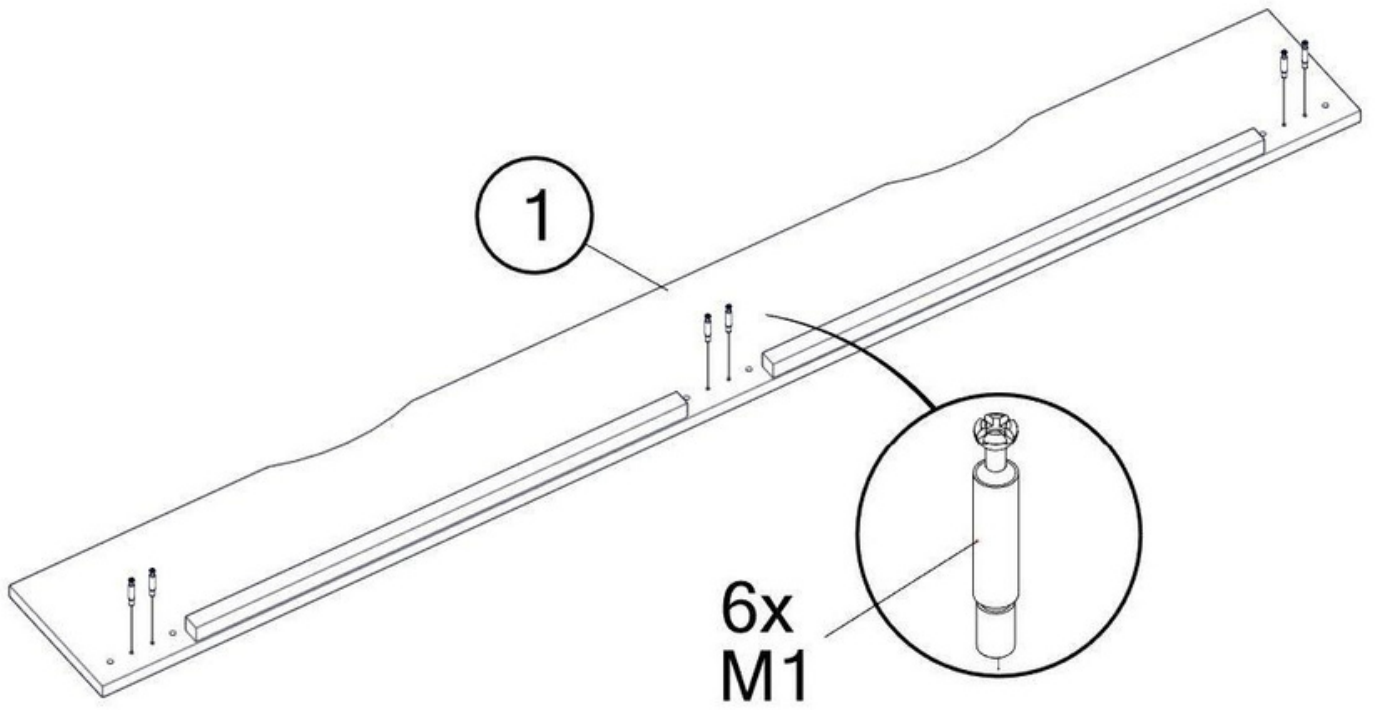




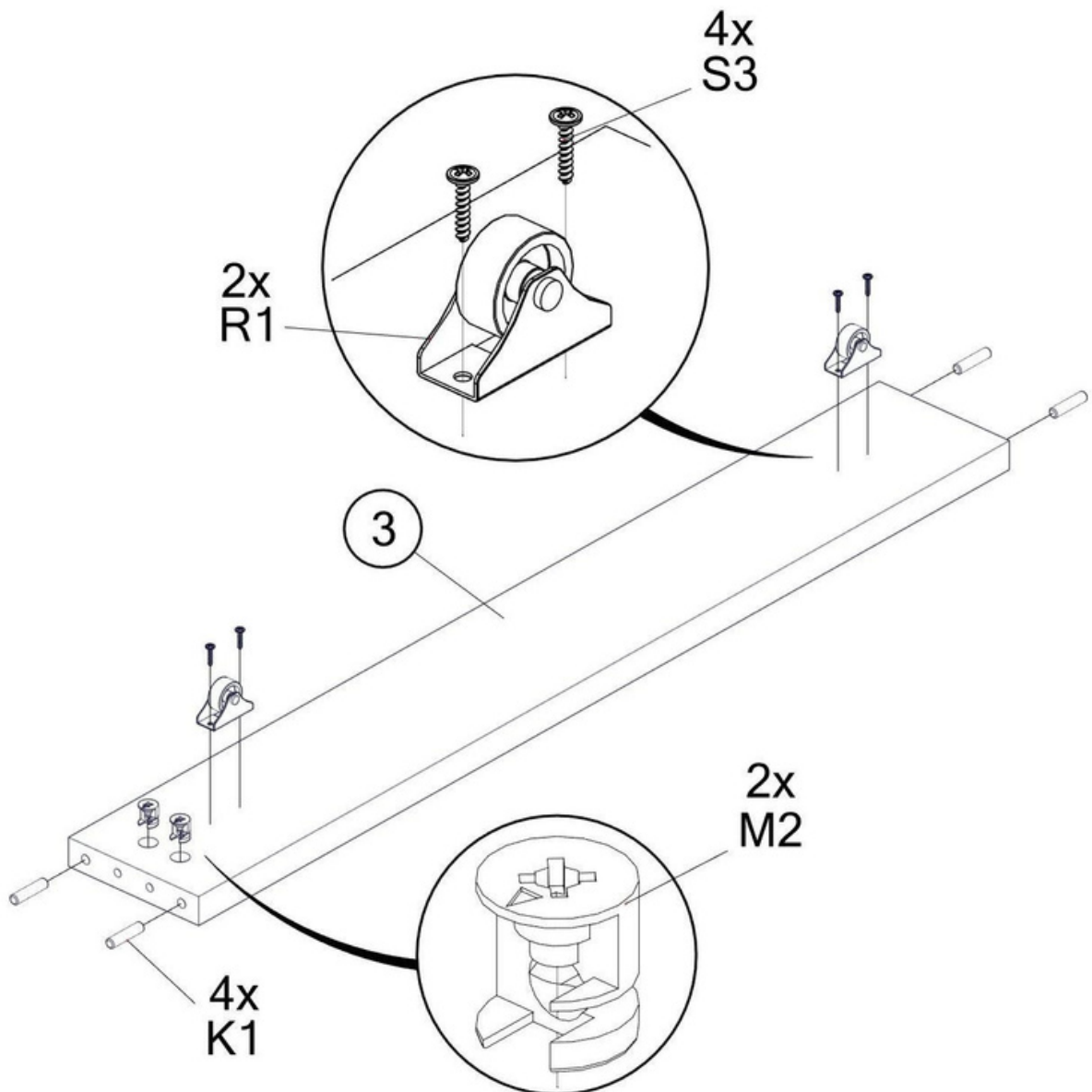
1	x1	Anapura		
2	x2	1900	130	20
3	x3	900	130	25
4	x12	898	63	17

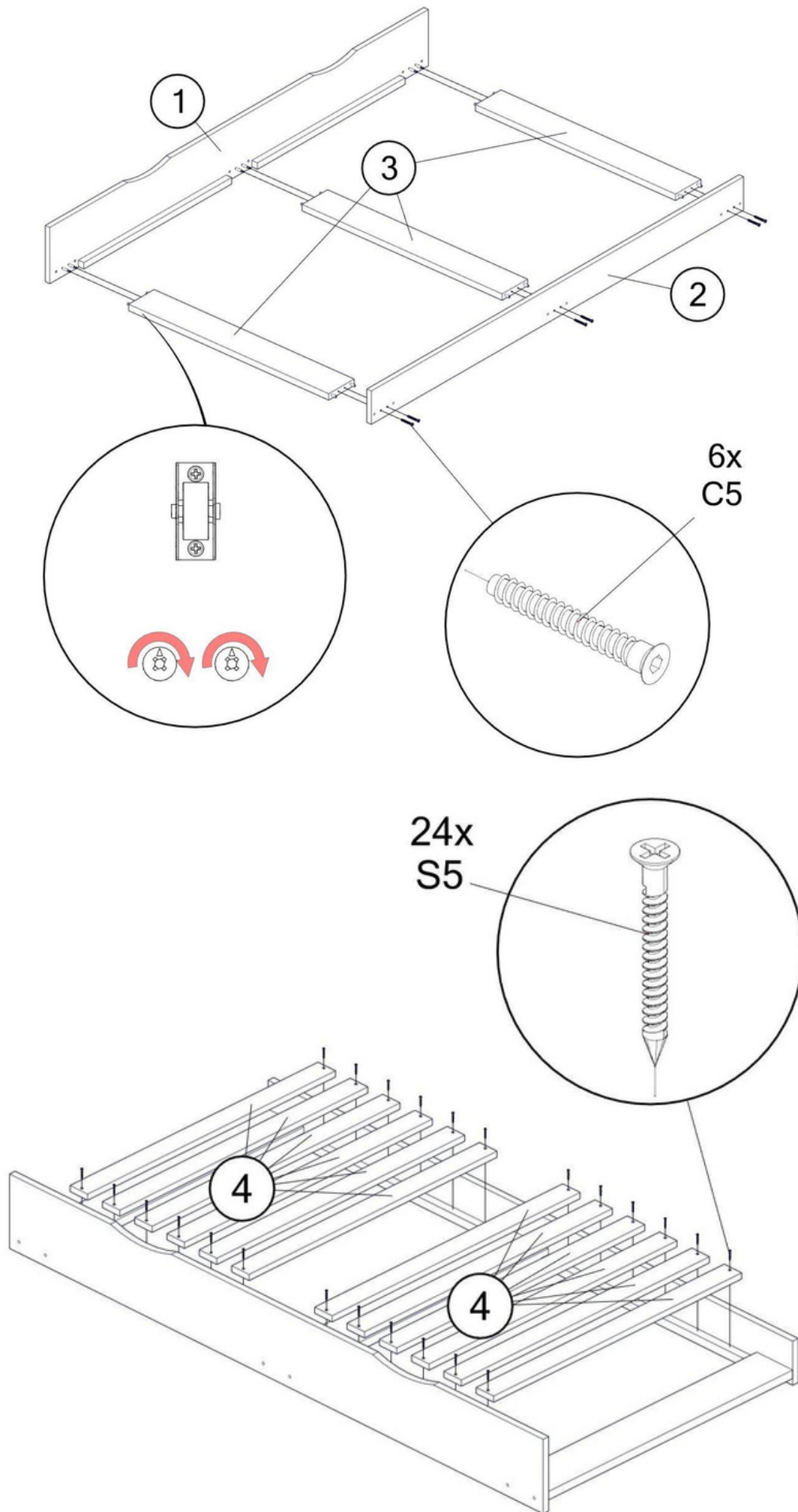
K6	x12	S3	x30	S5	x24
	ϕ 8x35		ϕ 3,5X16		ϕ 3,5X30
M1	x6	M2	x6	C5	x6
	ϕ 6,3x34		ϕ 15/11		ϕ 7X50
F2	x1	R1	x6	B3	x3
	HEX 4mm		ϕ 30		40x40x40

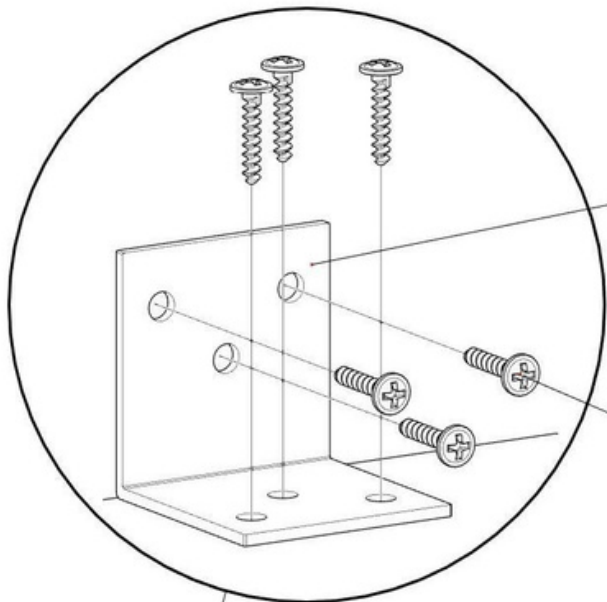




x 3







3x
B3

18x
S3

